

规格承认书

Specification for approval

产品名称: **BFSL-3 3Pin 插片汽车保险丝 32V**

**Product Type: 2 Way Automotive Car Boat Micro3 Multi
Terminal 3Pin Mini Blade Fuse 5A 7.5A 10A 15A 32V For
Auto Fuse Tap Holder Block**

Ao littel Technology Co.Ltd.

Bld. 16,Yanhe East Road,Xiangdong Village, Dongguan 523833,
Guangdong,China

H.P.: 1371362419

QQ #: 3217998702

<http://www.passivemall.com/>

Fax #:0769-89390418

Email : eric.lye@aolittel.com

<http://www.aolittel.com/>

1. Scope

BFSL-3 is a multi terminal state-of-the-art blade fuse Micro 3 .

2. General Specifications

Rated Voltage: DC32V and less

Breaking Capacity: 1000A

Operation Temperature: -40°C - 80°C

3. Time-Current Characteristics

% of Ampere Rating(A)	Operating Time	
	MIN	MAX
110%	100 hrs.	-
135%	0.75 sec.	120 sec.
160%	0.25 sec.	50 sec.
200%	0.15 sec.	5 sec.
350%	0.04 sec.	0.5 sec.
600%	0.02 sec.	0.1 sec.

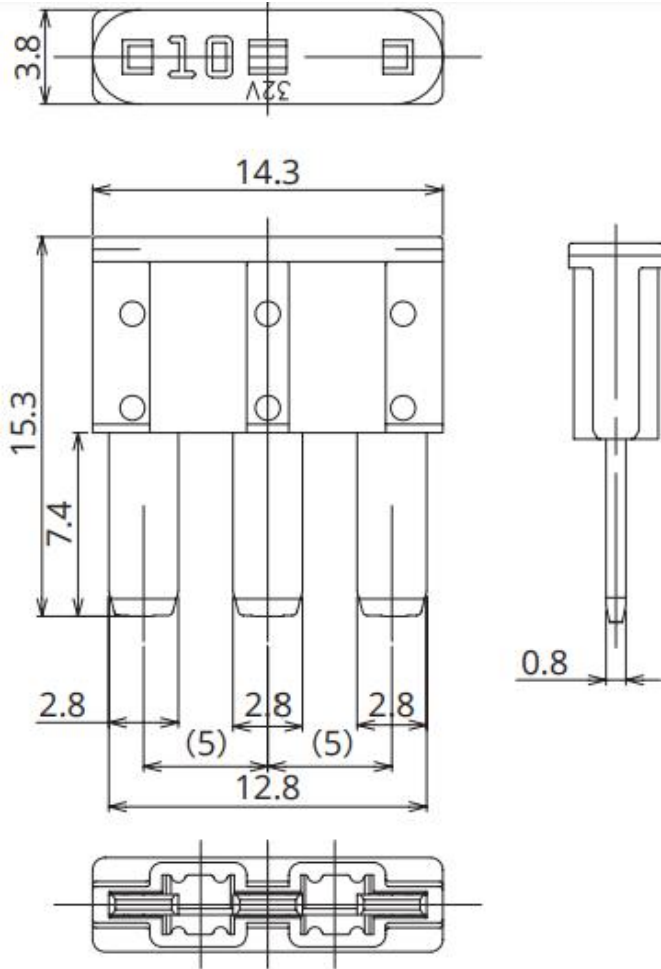
※The fuse characteristic may change depending on the conditions of use.

4. Electrical Performances

Ampere Rating(A)	Part Number	Housing Colors	Resistance Value	Voltage Drop
5A	1183	Tan	16.9 mΩ	110 mV
7.5A	1184	Brown	10.6 mΩ	104 mV
10A	1185	Red	7.94 mΩ	104 mV
15A	1186	Blue	5.07 mΩ	97 mV

※The fuse characteristic may change depending on the conditions of use.

5. Dimension (mm)



6. Time-Current Characteristics Chart

